



TABLES

SLIDE TABLE

Steel framed table solution. Good choice when the step depth is limited. Slide table relates to the wooden box table by its usability.

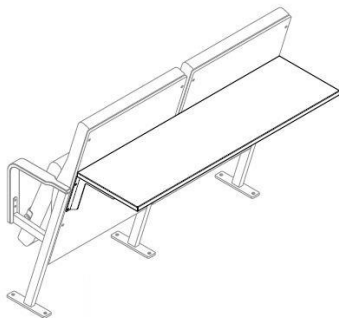
- Frame: 4 mm Steel, powder coated to desired RAL-color
- Table: 400 x 400 x 10 mm, birch plywood. Veneered or laminated surface
- Available also in full laminate
- Optional thicknesses: 12 and 15 mm



ANGLED TABLE

A table that doubles up. Often used in renewal projects, where depth of step is small, but fixed table solution is preferable.

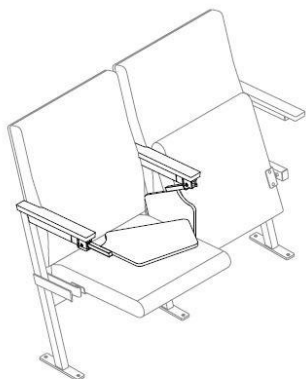
- Table: 18 mm Birch plywood. Veneered or laminated surface
- Assembled to chair back with a powder coated steel bracket.



FIXED TABLE

Fixed table has the biggest surface area, but it needs deep step to work. Can also be used on curved rows.

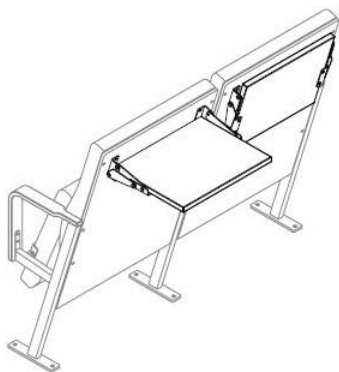
- Table: 19 mm mdf. Veneered or laminated surface, with solid wood lipping.
- Assembled to chair back with a powder coated steel bracket.



ARMREST TABLE

Table folds under armrest when not used. Equipped with gas spring driven "anti-panic"-function that ensures clear emergency exit route.

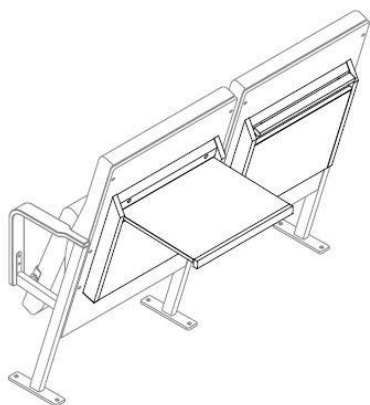
- Table: Size approx. A4-paper, 12 mm birch plywood. Veneered or laminated surface.
- Frame: Steel frame integrated to chairs leg structure.
- Gas spring 160 Nm



HINGE TABLE

Almost silent table mechanism, that works on curved rows as well. Veneered/laminated table folds parallel to the back it's mounted on. Good choice when the step depth is limited.

- Mechanism: Powdercoated steel, 3 mm
- Table: Size 400 x 320 x 20 mm, 19 mm mdf. Veneered or laminated surface, with solid wood lipping.

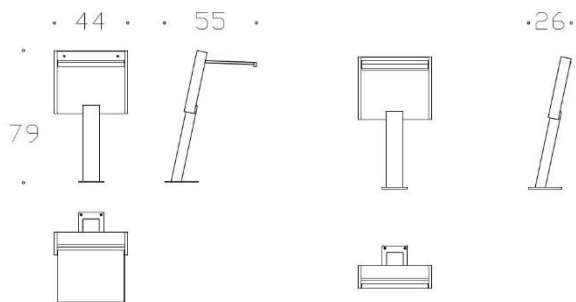


FOLDING TABLE IN WOODEN CASSETTE

A table that folds in a wooden case. Good choice when the step depth is limited.

- Casing: Solid wood/veneered plywood, size 440 x 426 x 48 mm
- Table: Size 400 x 350 x 12 mm birch plywood. Veneered or laminated surface, with lipping.

Note WB



NoteWB

A Solution that can be used in case, that table is not possible to mount directly to chairs backrest, i.e. high steps.

- Frame/leg: Powder coated steel. Option for integrating. Power socket and/or LAN .
- Casing: Solid wood/veneered plywood
- Table: 12 mm birch plywood. Veneered or laminated surface, with lipping.